



## compact and economic

SCANLAB's basiCube scan heads are the ideal entry-level 2D scan systems for deflecting and positioning laser beams in the working plane.

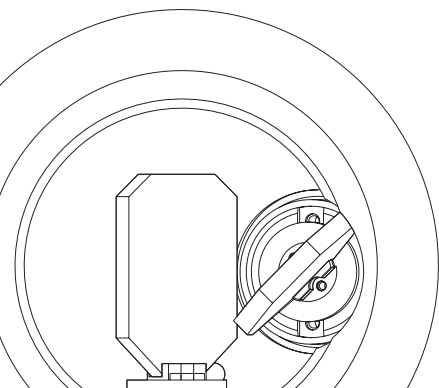
### Key Features

- Compact & light-weight design
- Very fast writing speed
- Excellent price/performance ratio

The basiCube scan head series offers superior cost effectiveness and is optimized for coding and marking.

### Typical Applications

- Marking
- Processing-on-the-fly



## Specifications

### Dynamics

	basiCube 10	basiCube 14
<b>Aperture</b> [mm]	10	14
<b>Tracking error</b> [ms]	0.14	0.18
<b>Typical speeds</b> <sup>(1)</sup>		
Marking speed [m/s]	2.5	2.0
Positioning speed [m/s]	12.8	12.8
Writing speed <sup>(2)</sup>		
Good writing quality [cps]	800	600
High writing quality [cps]	570	375
<b>Step response time</b> <sup>(3)</sup>		
1% of full scale [ms]	0.35	0.45
10% of full scale [ms]	1.0	1.4

<sup>(1)</sup> with F-Theta objective, f = 160 mm

<sup>(2)</sup> single-stroke characters of 1 mm height

<sup>(3)</sup> settling to 1/1000 of full scale

### Precision & Stability

<b>Repeatability</b> (RMS) [μrad]	< 2.0
<b>Positioning resolution</b> [Bit] <sup>(4)</sup>	16
<b>Nonlinearity</b>	< 3.5 mrad/44° <sup>(6)</sup>
<b>Temperature drift</b>	
Offset [μrad/K]	< 30
Gain [ppm/K]	< 160
<b>Long-term drift</b>	
<b>8-h-drift</b> (after 30 min warm-up) <sup>(5)</sup>	
Offset [μrad]	< 100
Gain [ppm]	< 250

<sup>(4)</sup> based on the full angle range (e.g. positioning resolution 11 μrad for angle range ±0.36 rad)

<sup>(5)</sup> at constant ambient temperature and load

<sup>(6)</sup> 44° = 0.768 rad

### Further Specifications

#### Optical performance

Typical scan angle [rad]	±0.35
Gain error [mrad]	< 5
Zero offset [mrad]	< 5

#### Power requirements

basiCube 10	±15 V DC; max. 3 A each
basiCube 14	available variants: 24 V DC, 30 V DC; max. 3 A each

#### Interface (digital)

Interface (digital)	SL2-100, XY2-100
---------------------	------------------

#### IP protection class

IP protection class	IP 50
---------------------	-------

#### Operating temperature [°C]

Operating temperature [°C]	25 ± 10
----------------------------	---------

(all angles are in optical degrees)

## Options & Variants

### Extensions

- varioSCAN: Extension into a 3-axis scan system

### Optics

- Coatings for the following wavelengths:  
basiCube 10: 355 nm, 532 nm, 1064 nm, 10600 nm  
basiCube 14: 355 nm, 1064 nm, 10600 nm
- Suitable objectives available for various image fields and focal lengths

### Control Boards

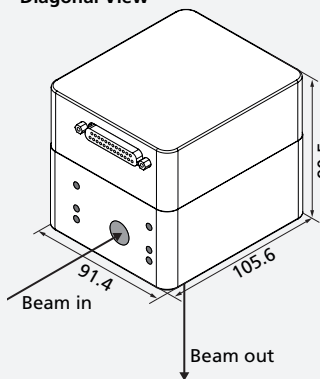
- RTC4 (PCIe, Ethernet) and RTC5

### Software

- Flexible calibration solutions:  
correXion pro, CALsheet

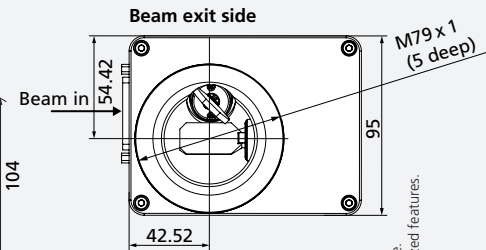
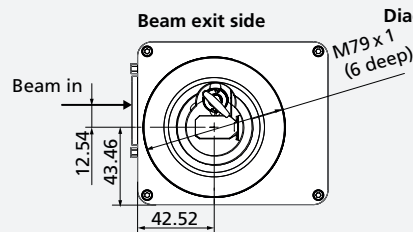
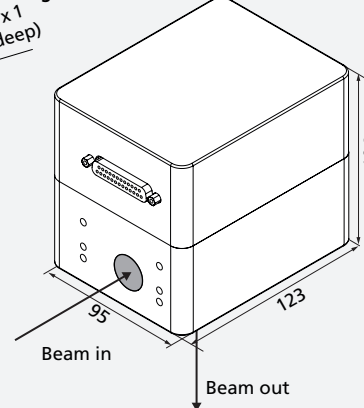
### basiCube10

#### Diagonal View



### basiCube14

#### Diagonal View



	basiCube 10	basiCube 14
<b>Aperture</b>	10 mm	14 mm
<b>Beam displacement</b>	12.54 mm	16.42 mm
<b>Weight</b>	1.5 kg	2.15 kg

all dimensions in mm

#### SCANcalc App



Google Play

App Store

04/2020 Information is subject to change without notice.  
Product photos are non-binding and may show customized features.