

MFP 30W

Q-Switch Pulsed Fiber Laser



Product Feature



Excellent Single Pulse Energy

Higher single pulse energy makes our laser applicable to more types of materials and applications



New Compact and Rugged Design

>40% reduction in volume
Higher flexibility when integrated into system



Wide Application Even with Highly Reflective Material

High performance isolator effectively reduces reflection damage to the laser source
Smoothly marking on aluminum, copper and brass etc



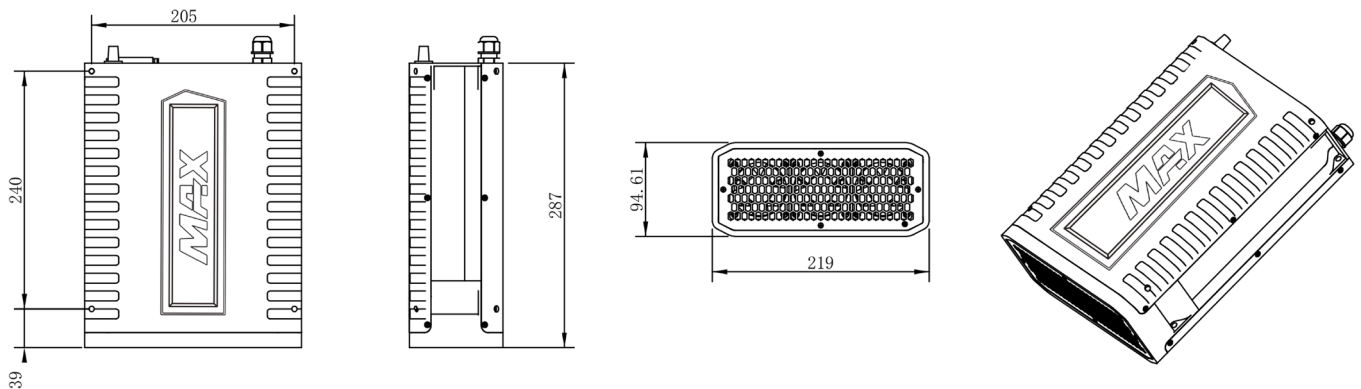
High Level Vertical Integration

All key components are designed and produced in house
Strict quality control, high consistency and reliability

MFP 30W Fiber Laser Specifications

Model	MFP-30W
OPTICAL SPECIFICATIONS	
Nominal Power	30W
Mode of Operation	Pulsed
Polarization	Random
Power Tunability	10 to 100%
Wavelength	1064 ± 5 nm
Power Stability	≤ 3 %
Laser Beam Quality M ²	<1.6
Pulse Energy	1 mJ
Pulse Duration	80~100 ns
Repetition Rate	29kHz~81kHz
FIBER DELIVERY SYSTEM	
Length	1.9~3m standard, other lengths optional
Beam Diameter	6~8 mm
Beam Ellipticity	>90%
ELECTRICAL RATINGS	
Supply Voltage	24 VDC
OTHER SPECIFICATIONS	
Operating Temperature	+10 to +42°C
Storage Temperature	-10 to +60°C
Humidity	10 to 95%
Cooling Method	Air Cooling
Dimension	287mm X 219mm X 94.61mm
Weight	6±0.5 kg

Mechanical Specifications (mm)



Maxphotonics Co.,Ltd.

Address: Maxphotonics Industrial Park, 3rd Furong Road,
Furong Industrial Area, Shajing, Bao'an, Shenzhen, China.518125
E-Mail: sales@maxphotonics.com <http://en.maxphotonics.com>

MAX PHOTONICS