

## high power meets high dynamics

The welDYNA scan head enables innovative high power applications by a unique set of properties:

- Suitable for multi-kW lasers
- Designed for highest beam quality (single mode)
- High oscillation frequencies > 2 kHz
- Modular integration with standard collimation and focussing units
- Low long-term and temperature drift
- Fully digital servo circuitry
- Integrated sensor system with real-time monitoring
- Software-independent interlock interface
- Water and air cooling in a robust housing

The welDYNA scan head joins high power with high dynamics. The high power suitability is supported by ultra-low absorption coatings, air cooling of the mirrors, strict separation of electronics and optical path and in addition a set of built-in sensors. Empowered by the fully digital electronics, the integrated sensors provide extensive possibilities for real-time monitoring of the system's operational state. Light-weight SiC mirrors and highly dynamic galvanometer scanners of the dynAXIS 3 series enable beam oscillation frequencies that are unprecedented in high-power scan heads.

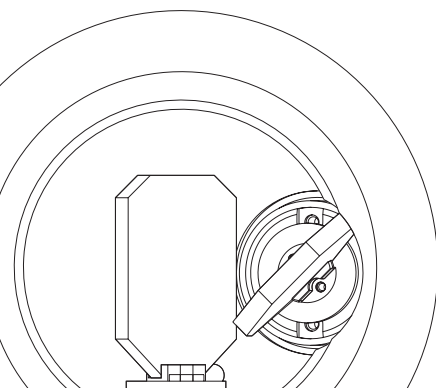
An innovative optical configuration leads to opposing beam-entrance and exit apertures, thus facilitating the integration in gantry- or robot-based machines, e.g. in the automotive or metalworking industry.

### Typical Applications:

- Welding of dissimilar materials, e.g. aluminum and copper
- Joining of materials with low weldability, e.g. for power train or body-in-white components
- Cutting of thick metal sheets or fiber-reinforced plastics (FRP)

### Typical Industries:

- Automotive
- Mechanical engineering and metalworking
- Aerospace industry



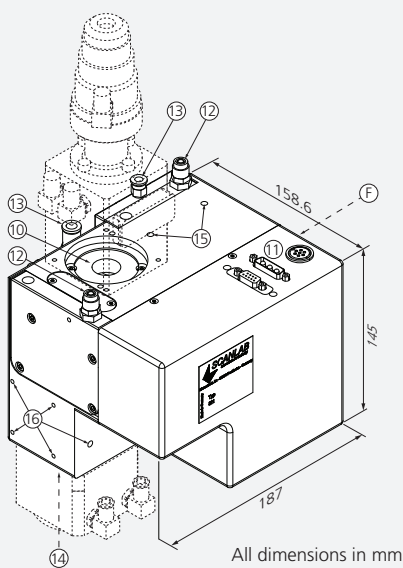
**Specifications**

<b>Aperture</b>	20.8 mm
<b>Mirrors</b>	
Working wavelength	1030-1090 nm
Reflectivity	
at 1030-1090 nm	>99.5% per mirror
at 633 nm	>50% per mirror
Max. laser power (with air cooling)	3000 W
at 50% duty cycle	6000 W
<b>Max. XY oscillation amplitude</b>	
at 2000 Hz	± 3.1 mrad
at 4000 Hz	± 0.6 mrad
<b>Tuning</b>	Vector
<b>Tracking error</b>	<0.16 ms
<b>Step response time <sup>(1)</sup></b>	
1% of full scale	0.4 ms
10% of full scale	2.3 ms
<b>Positioning speeds</b>	
typical	40 rad/s
(with f=245 mm focusing)	(10 m/s)
maximal	55 rad/s
(with f=245 mm focusing)	(13 m/s)

- (1) settling to 1/1000 of full scale
- (2) dependent on collimation and focusing module
- (3) with f=245 mm focusing

<b>Long-term drift (8h)</b>	
Offset	< 150 µrad
Gain	< 150 ppm
<b>Temperature drift</b>	
Offset	<30 µrad/K
Gain	<20 ppm/K
<b>Repeatability (RMS)</b>	<2 µrad
<b>Positioning resolution</b>	18 Bit
<b>Optical performance</b>	
Typical scan angle <sup>(2)</sup>	± 25 mrad
Typical field size <sup>(3)</sup>	10x10 mm <sup>2</sup>
Gain error	<5 mrad
Zero offset	<5 mrad
<b>Nonlinearity</b>	<0.9 mrad/44°
<b>Power requirements</b>	30 V DC, max. 7 A or ± 15 V DC, max. 7 A
<b>Interface</b>	SL2-100
<b>Operating temperature</b>	25 °C ± 10 °C
<b>Weight</b>	7.5 kg
<b>Cooling specifications</b>	
Air cooling	20 l/min (Δp < 1 bar)
Water cooling	3 l/min (p < 4 bar)

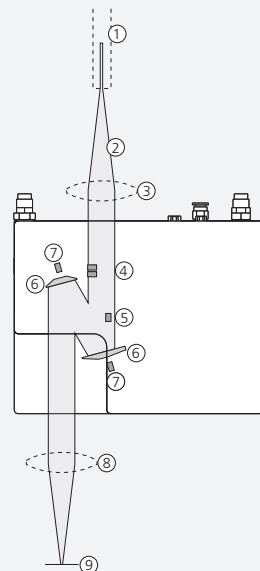
(all angles are in optical degrees)



**Legend**

- 1 Fiber\*
- 2 Laser beam
- 3 Collimation optics\*
- 4 Two IR photo diodes
- 5 Temperature sensor galvo mount
- 6 Two scan mirrors
- 7 Two mirror temperature sensors
- 8 Focusing optics\*
- 9 Image field
- 10 Beam entrance, mounting option for collimation module\*
- 11 Electrical connectors for data, power, interlock
- 12 Connections for cooling water
- 13 Connections for cooling air
- 14 Beam exit, mounting option for focusing module\*
- 15 Bore holes at free disposal, e.g. for cable relief
- 16 Bore holes at free disposal, e.g. for illumination, camera, crossjet
- F Flange surface

(\*not included)



06/2017 information is subject to change without notice.  
Product photos are non-binding and may show customized features.